



PRESS RELEASE

21th March 2014
For immediate release

intoPIX and Macnica Americas demonstrate 4K future proof and interoperable SMPTE2022 JPEG2000 video over IP FPGA reference design at NAB 2014

The ready-to-use ST2022 reference design successfully participated in the J2K VSF Interop Event during Vidtrans 2014

Belgium, Mont-Saint-Guibert and USA, San Diego, California: 21 March 2014– intoPIX has recently introduced together with **Macnica Americas** a complete SMPTE2022 FPGA reference design that combines both intoPIX JPEG2000 compression and MPEG2-TS cores with Macnica’s SMPTE2022 IP-core to carry 3G-SDI with JPEG2000 compression over ST2022 1-2 on an Altera Stratix V FPGA. Leveraging Macnica’s ST2022 5-6 IP-cores, it can also carry uncompressed 3G-SDI over 10G network.

Fully compliant with the VSF (Video Services Forum) Technical Recommendation, “Transport of JPEG 2000 Broadcast profile video in MPEG-2 TS over IP”, intoPIX JPEG2000 IP-cores, with their MPEG-2-TS encapsulation layer, guarantee a faster time to market to new market adopters. The design has been successfully connected with the equipment of major players of the broadcast market during VidTrans 2014 meeting in Arlington, VA on February 26 to 28.

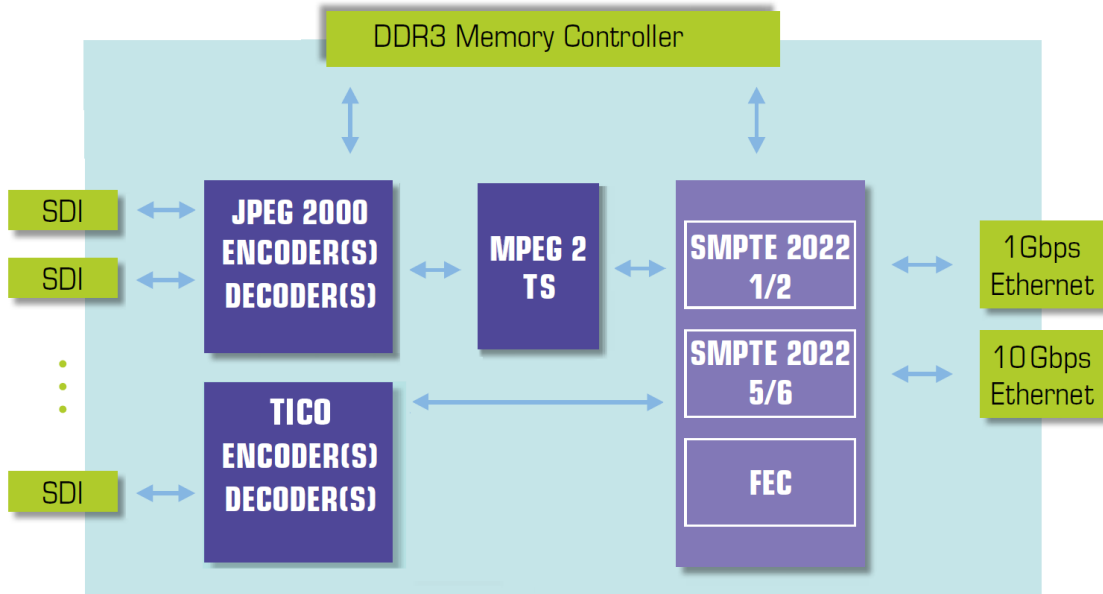
“The reference design delivered by our partners intoPIX and Macnica Americas is a proven interoperable solution for the industry,” said Mark Hoopes, Strategic Marketing Manager of Altera Corporation. “It answers the broadcasters’ needs for a cost-effective and reliable solution to enable them to migrate toward IP networks for video transport both outside and inside the studio.”

This reference design brings 4K upgrade capability over 1GbE and 10GbE network infrastructure today. “intoPIX’s new TICO lightweight visually lossless compression technology, with its pixel line latency, can be used as a smart way to map 4K video over ST2022 5-6 infrastructure. Additionally, the intoPIX JPEG2000 4K cores can be directly integrated to carry 4K over ST2022 1-2,” said Marc Levy, C.T.O. of Macnica Americas.

The ready-to-use JPEG2000 ST2022 video-over-IP reference design will be showcased at the NAB tradeshow next month in Las Vegas in both the Altera (SU 11110) and intoPIX (C5243) booths.

SMPTE 2022 VIDEO OVER IP

NEW



ALTERA

intoPIX
secure image technology

MACNICA
AMERICAS

for HD and 4K!

About intoPIX

intoPIX is a leading supplier of compression, cryptographic and video transport technologies to audio-visual equipment manufacturers. We have developed flexible and powerful IP-cores for FPGA/ASIC and software solutions that enable leading-edge image and video compression (JPEG2000, TICO lightweight,...), security, transport and hardware enforcement to take imaging to the next level. More information on our company, customers and products can be found on www.intopix.com

intoPIX SA

rue Emile Francqui, 9
B-1435 Mont-Saint-Guibert
Belgium
Tel: +32 (0)10 23 84 70
Fax: +32 (0)10 23 84 71
press@intopix.com

About Macnica Americas

Macnica Americas is a fully franchised semiconductor distributor covering North America with expertise in design services, IP, applications support, and logistics. We are a division of Macnica Inc, a \$2.4B global leader in semiconductor distribution and design services. The Macnica Americas IP portfolio includes solutions for high speed networking, broadcast video, DSP and embedded applications. Find out more about Macnica Americas products and design services at www.macnica-na.com

Macnica Americas, Inc.

380 Stevens Ave., Suite 206
Solana Beach, CA 92075 USA
Info.mai@macnica.com